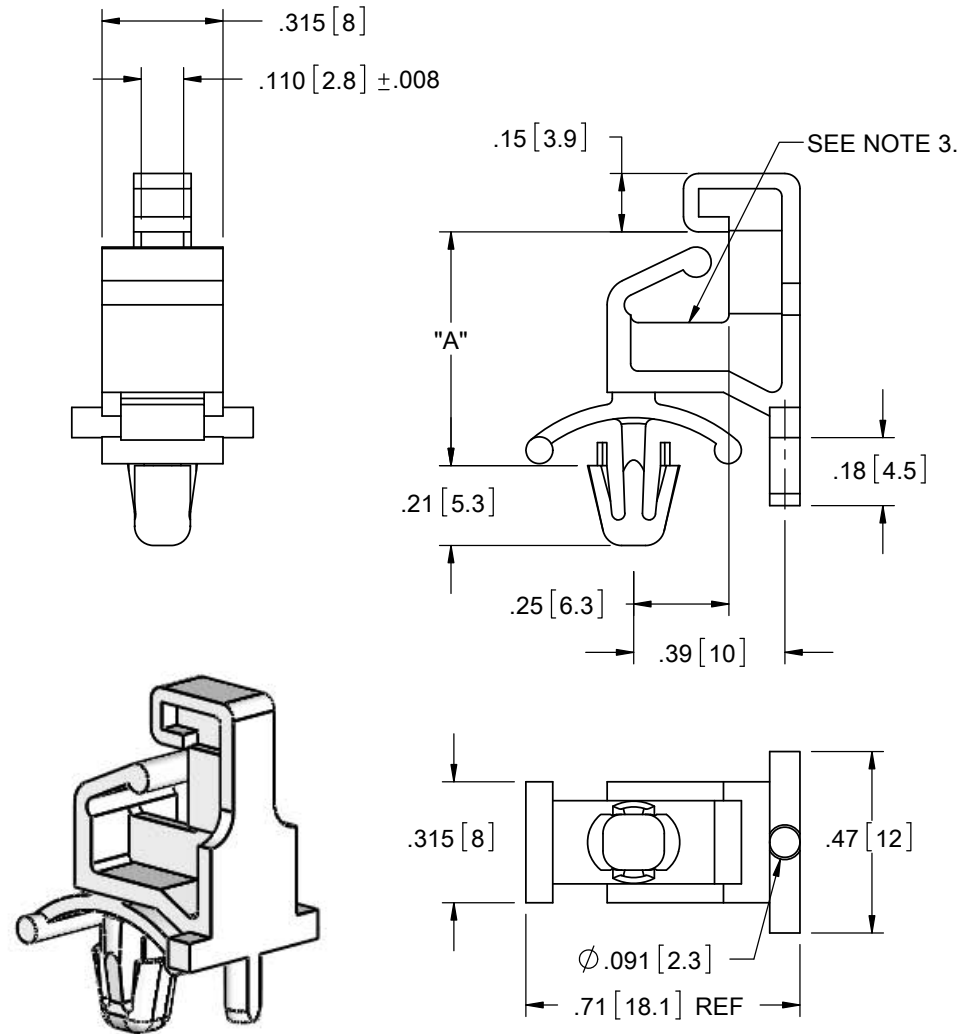


UBM (FIGURE 1)	*UBMC (FIGURE 2)	DIM. "A"
PART NO.	PART NO.	
UBM-12.3M-01	*UBMC-12.3M-01	.48 [12.3]
UBM-15.5M-01	*UBMC-15.5M-01	.61 [15.5]
UBM-22.0M-01	*UBMC-22.0M-01	.87 [22]

FIGURE 1



MOUNTING LAYOUT

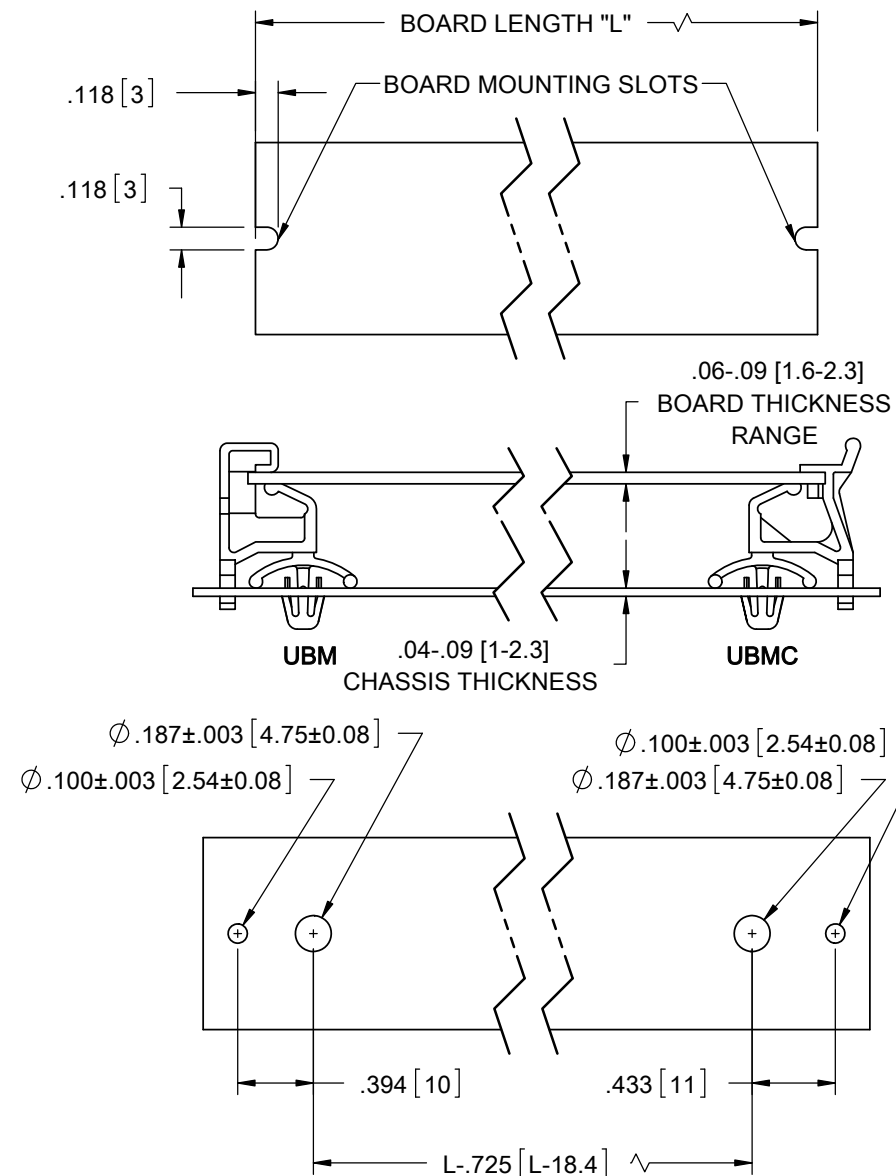
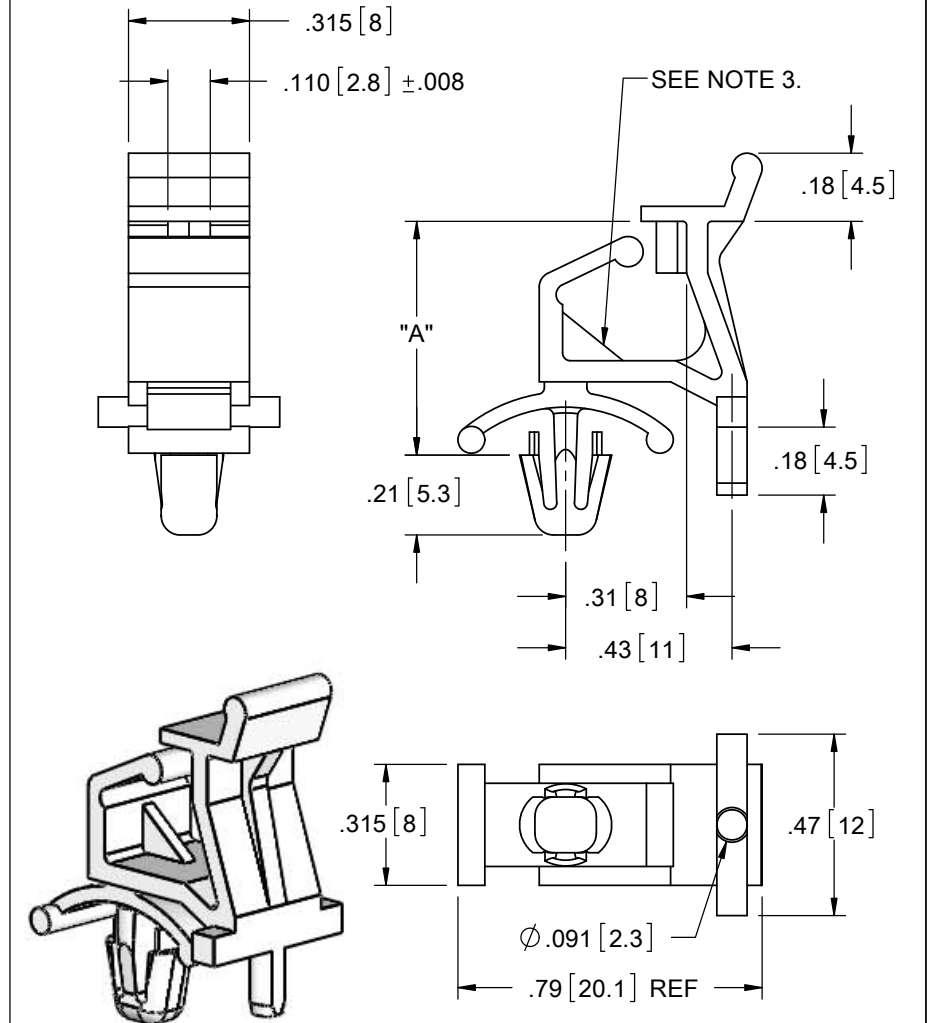


FIGURE 2



*PARTS AVAILABLE BY SPECIAL ORDER ONLY

- NOTES:
- STANDARD MATERIAL: NYLON 6/6 UL 94 V-2 (RMS-01), COLOR NATURAL.
 - ALTERNATE MATERIAL AVAILABLE BY SPECIAL ORDER: NYLON 6/6 UL94 V-0 (RMS-19) COLOR NATURAL. TO ORDER REPLACE "-01" WITH "-19NT"
 - RIB FEATURE NOT PRESENT ON "UBM/UBMC-12.3M" PARTS

REV.	DESCRIPTION	ENGR.	DATE
D	ADDED MATERIAL UL94 V-0, CO 200681	SK	06.10.2011
C	ADDED NOTE 3, CO 200675	SK	06.03.2011
B	SEE ECN #1277 FOR CHANGES	SK	01/23/07
A	NEW DRAWING, SEE ECN #1221 FOR CHANGES	SK	10/12/06
-	SEE ENGINEERING FOR REVISION HISTORY	--	---

TITLE: UNIVERSAL BOARD MOUNT (CLIP)				DWG IN IN [MM]		FINAL	
FILE #: UBM(C)		DWN: SK		APP: RT		PART #	
SHEET: 1 OF 1		SHEET SIZE: B		DT: 10/11/06		CHKD: SJ	
RE: RICHCO, INC.		RICHCO, INC.		ENG@RICHCO-INC.COM		PRINT TYPE	
		(773) 539-4060				CA	